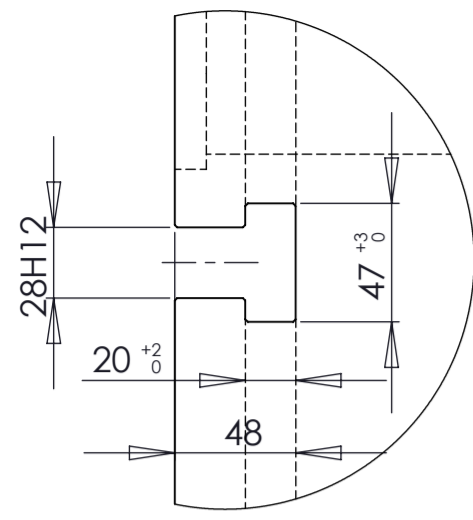
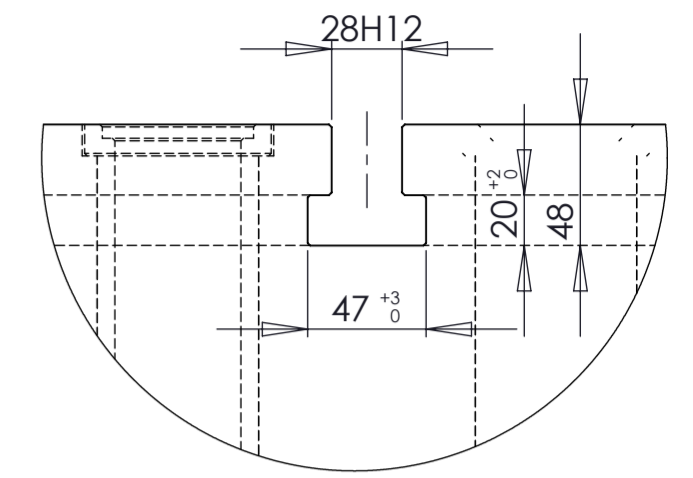
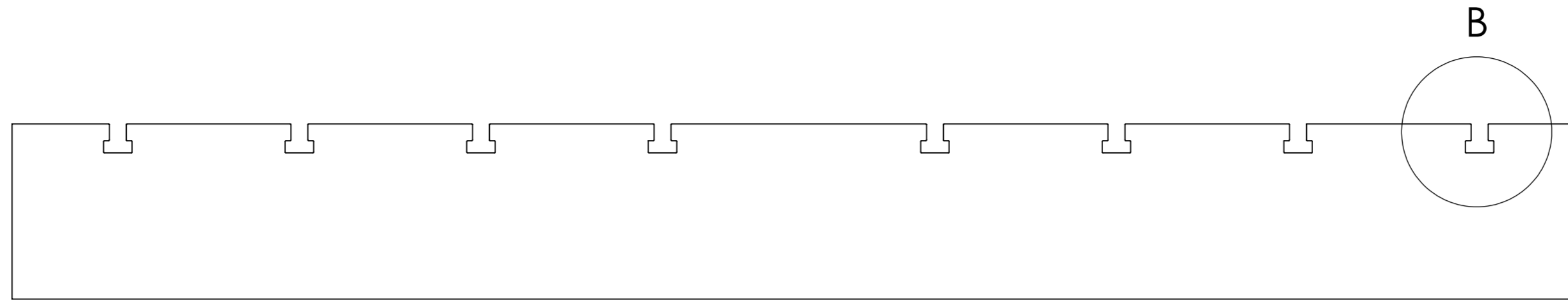


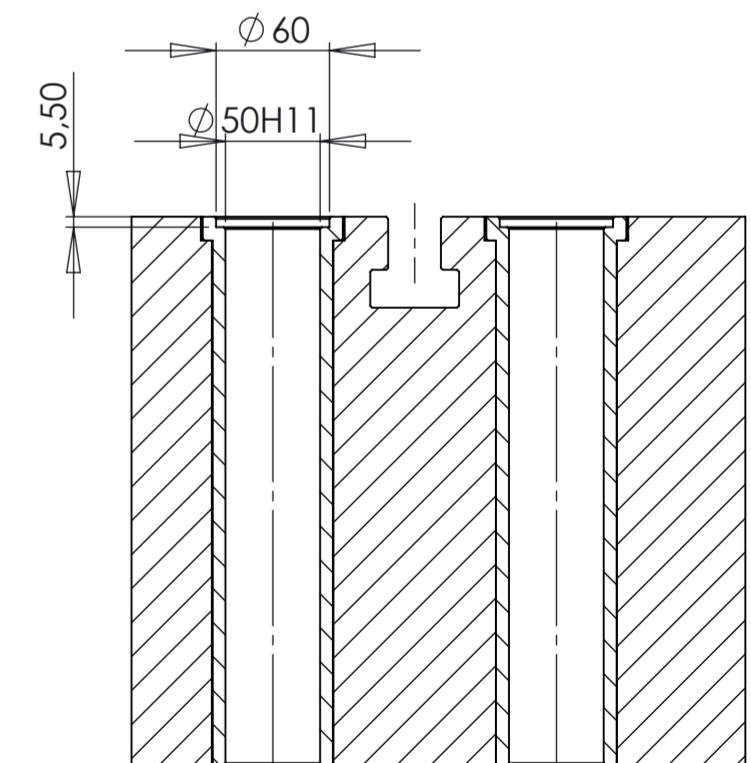
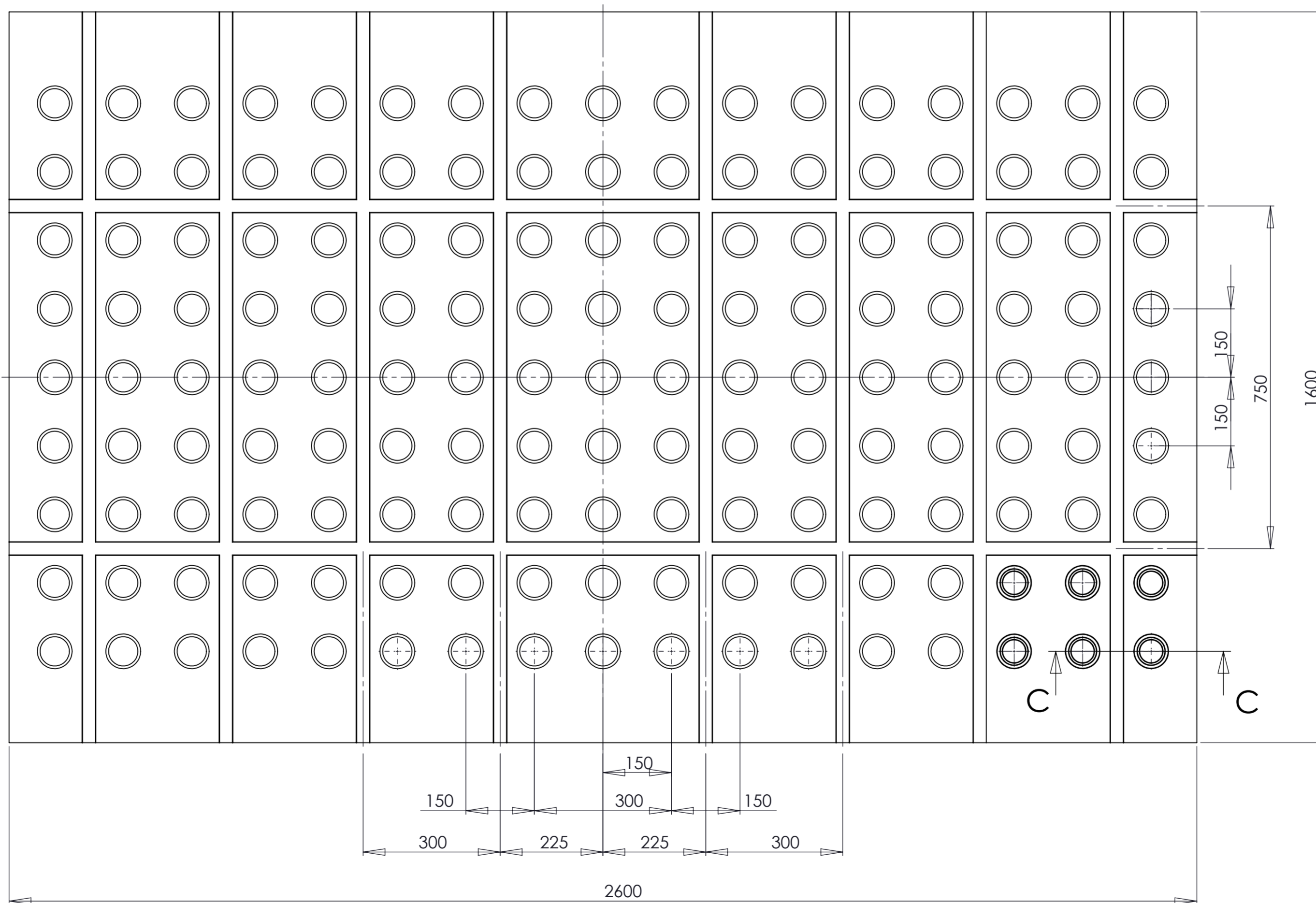
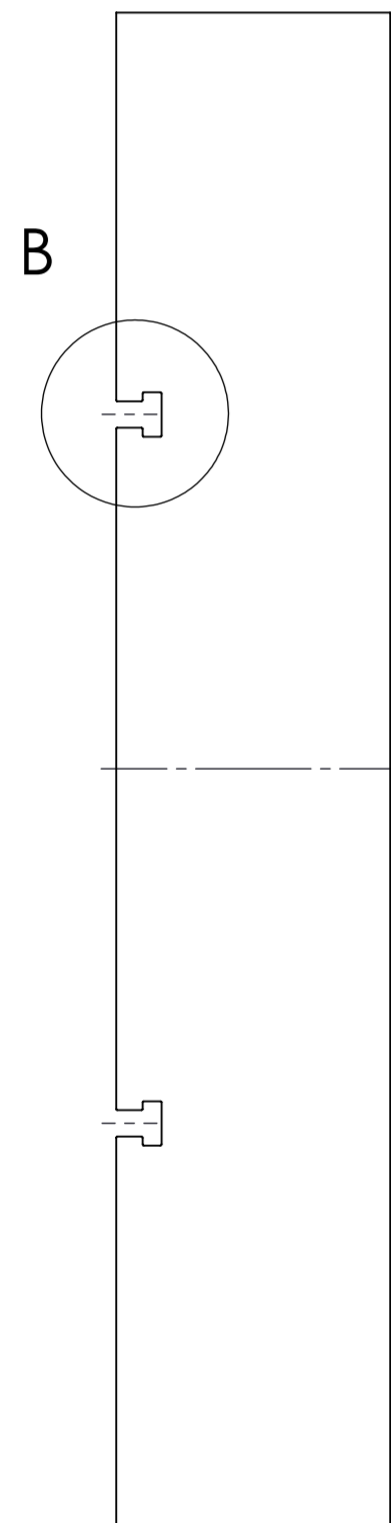
The table for press 8000kN



DETAIL B
SCALE 1 : 3



DETAIL B
SCALE 1 : 3



SECTION C-C
SCALE 1 : 4